



LABOMED[®]
ideas for vision

PRIMA | DENTAL lite MICROSCOPE

YOUR VISION, OUR INNOVATION, BETTER DENTISTRY



Welcome to the pinnacle of dental precision with the Labomed PRIMA lite dental microscope. Explore a world of options delivering optical finesse and mechanical excellence with Labomed dental solutions. With exceptional optical resolution and clarity, cool and true-to-daylight illumination and fluid mechanics, the PRIMA lite is a confluence of performance harmony.

View dental anatomy in the highest fidelity and truest form thanks to Labomed MaxLite optical technology. An optical pod with a built-in LED illumination source ensures a compact and streamlined design. PRIMA lite maneuvers with ease in even the most space-strapped clinical environments, occupying one of the smallest and lightest footprints in the industry across various mounting formats.



BRIGHTER, CLEANER, SMARTER: YOUR DENTAL MICROSCOPE

Experience optical superiority and mechanical versatility with the Labomed PRIMA lite dental microscope. This compact yet feature-rich system boasts exceptional performance thanks to an apochromatic optical design and Labomed MaxLite optical coatings that come together to deliver unparalleled image clarity and field homogeneity in dental procedures.

An automatic balancing arm ensures precise stability when mounting cameras and accessories, guaranteeing seamless photo documentation and operation without drift or vibration. With its modern and streamlined industrial design, PRIMA lite enhances the aesthetic of any practice.



Superb Optics

Experience unparalleled visual clarity and eye comfort with the Labomed PRIMA lite dental microscope. Its apochromatic optical design, coupled with superior coatings, ensures durable, scratch-resistant optics with minimal glare. The fluidly adjustable magnification changer offers a variety of settings, easily customized with common optical accessories. Plus, with the best glass in the world, PRIMA lite delivers more light to where it counts most – your eyes.



Ergonomics

Dentists expect supreme ergonomic benefit from a microscope - the PRIMA lite answers this mandate. Starting with a fluid arm system that is designed with tension controls tailored to user preference and houses a suspension arm that adjusts vertically without drift. A microscope carrier arm has advanced counterbalancing technologies that allow the microscope to articulate smoothly however the system is accessorized.



Brilliant Illumination

Bright and homogenous illumination is delivered thanks to an integrated 27 W LED illumination system. Meticulous attention was paid to the optical coupling design to minimize light-loss internally. High caliber glass inputs, together with an exacting design standard allow the PRIMA lite to deliver supreme efficiency - 100,000 lux with very low power consumption with a 50,000 hour diode life expectancy.

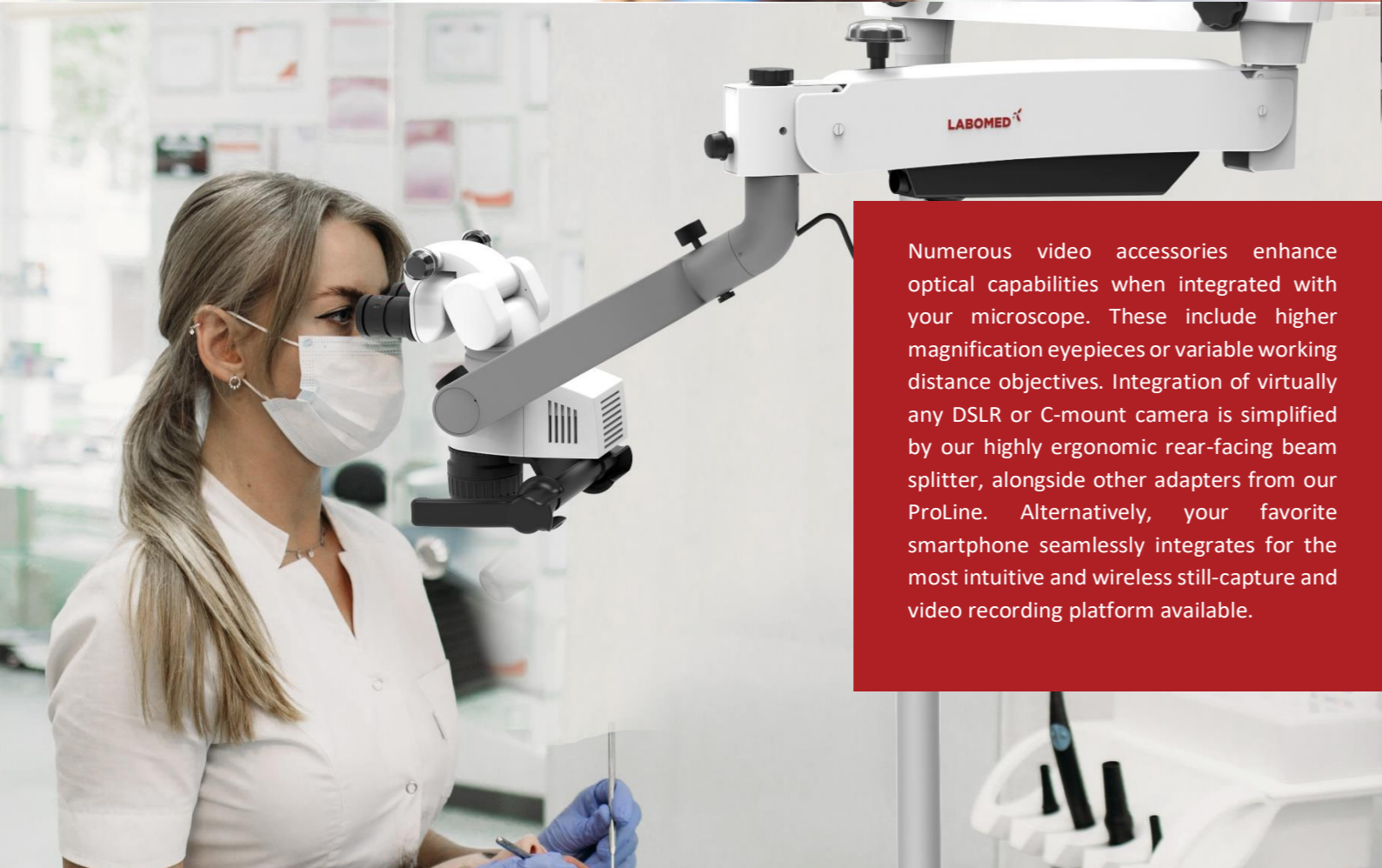




The Labomed PRIMA lite boasts a modern design that is ideal for those users who need a microscope versatile enough to adapt to office constraints as well as future build-outs. Modular in mounting and arm accessories, the PRIMA lite will accent nearly any environment with grace. Systems can also migrate from one mount to another with the use of adapter kits.

SPECIFICATIONS

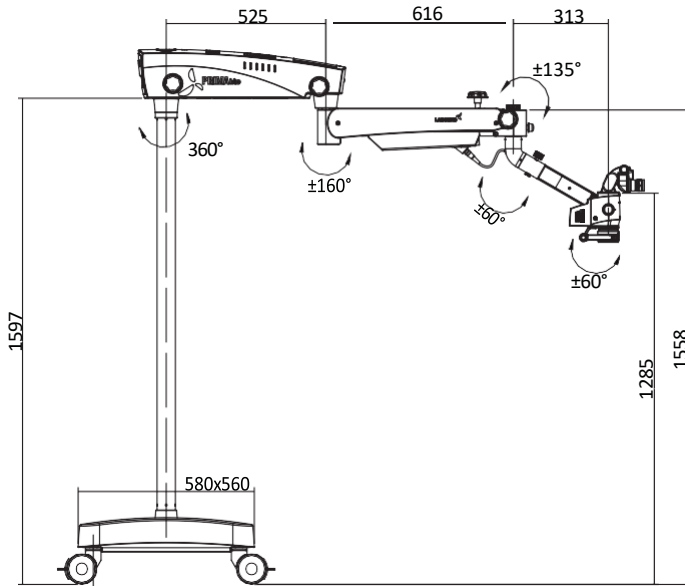
Observation Tubes	0-210° inclinable binocular tube
IPD	49-78 mm
Eyepieces	Standard: WF 10X/18 mm with eye guards and dioptre lock Optional: WF 12.5X/18 mm with eye guards and dioptre lock
Dioptre adjustment	± 7
Magnichanger	Apochromatic 5 step: 0.4x, 0.6x, 1.0x, 1.6x and 2.5x MaxLite coated
Objective	Standard: f 250 mm focusable Optional: f 300 mm focusable and f 400 mm focusable <i>NuVar™</i> 7: f 290-360 mm WD: 200-270 mm focusable <i>NuVar™</i> 10: f 300-400 mm WD: 220-320 mm focusable
FOV	10.6-66.2 mm
Fine Focus	Manual, adjustment by rotating ring
Light Source	27 W LED, 100-240 V
Lux	100 K
Maximum Wattage	60 W
Built-in Filters	Green and yellow
Microscope Carriers	120° carrier
Optional Accessories	Double beam splitter inclined, rotoplate, extender, double iris, single beam splitter, ProLine range of camera adapters & smart phone adapters



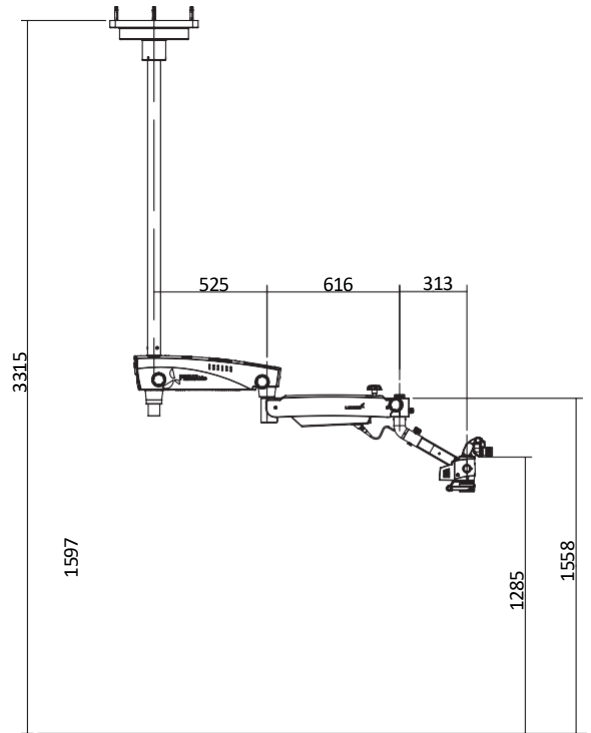
Numerous video accessories enhance optical capabilities when integrated with your microscope. These include higher magnification eyepieces or variable working distance objectives. Integration of virtually any DSLR or C-mount camera is simplified by our highly ergonomic rear-facing beam splitter, alongside other adapters from our ProLine. Alternatively, your favorite smartphone seamlessly integrates for the most intuitive and wireless still-capture and video recording platform available.



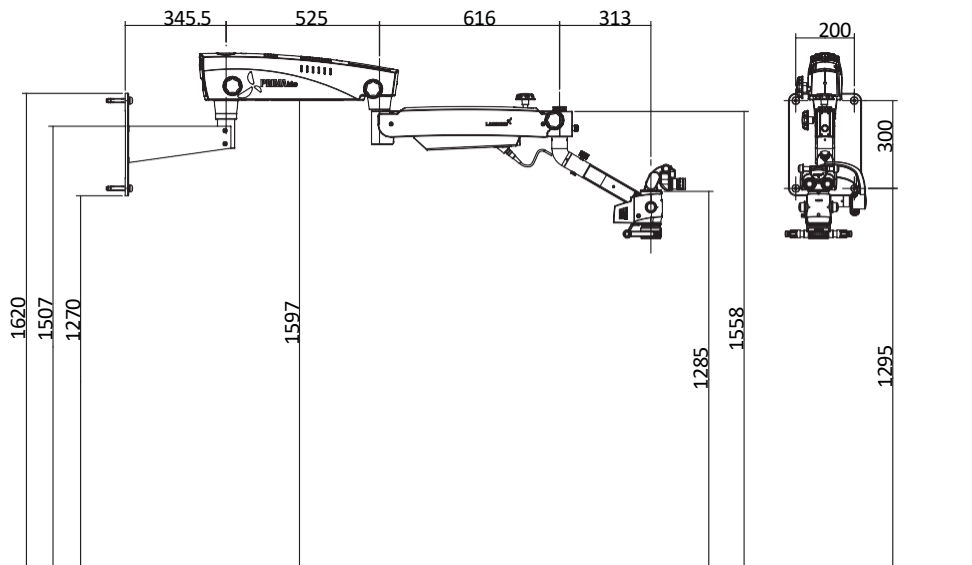
FLOOR MOUNT



CEILING MOUNT



WALL MOUNT



DESCRIPTION

PRIMA lite
PRIMA lite
PRIMA lite

CONFIGURATION

Floor Mount
Wall Mount
Ceiling Mount

CATALOG NO

6181501
6181502
6181503



Labomed Europe b.v.
Essebaan 50
2908 LK, Capelle aan den IJssel
Netherlands
Tel: +31 (0)10 45 842 22
E-mail: sales@labomedeuropa.com

www.labomedeuropa.com

